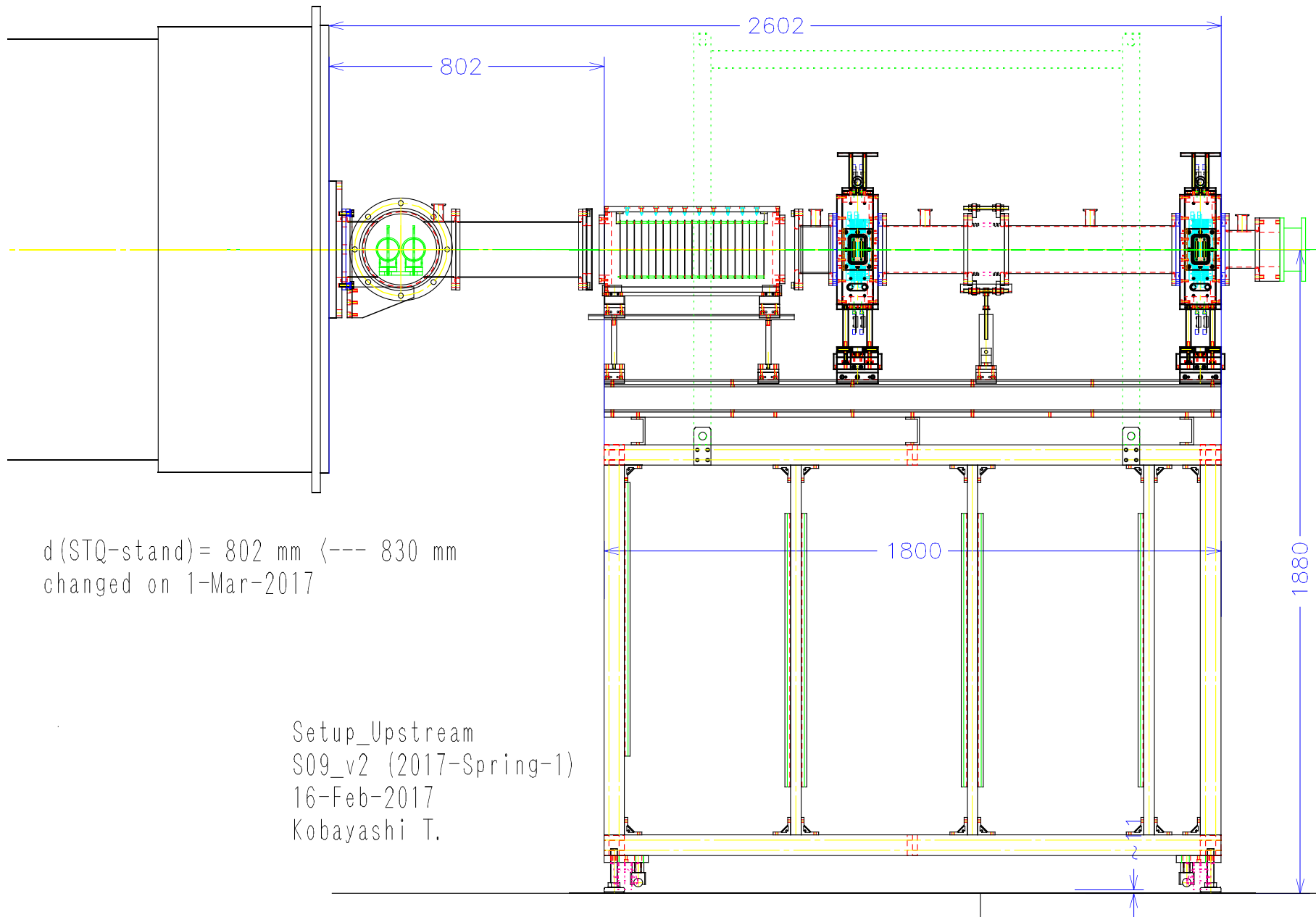


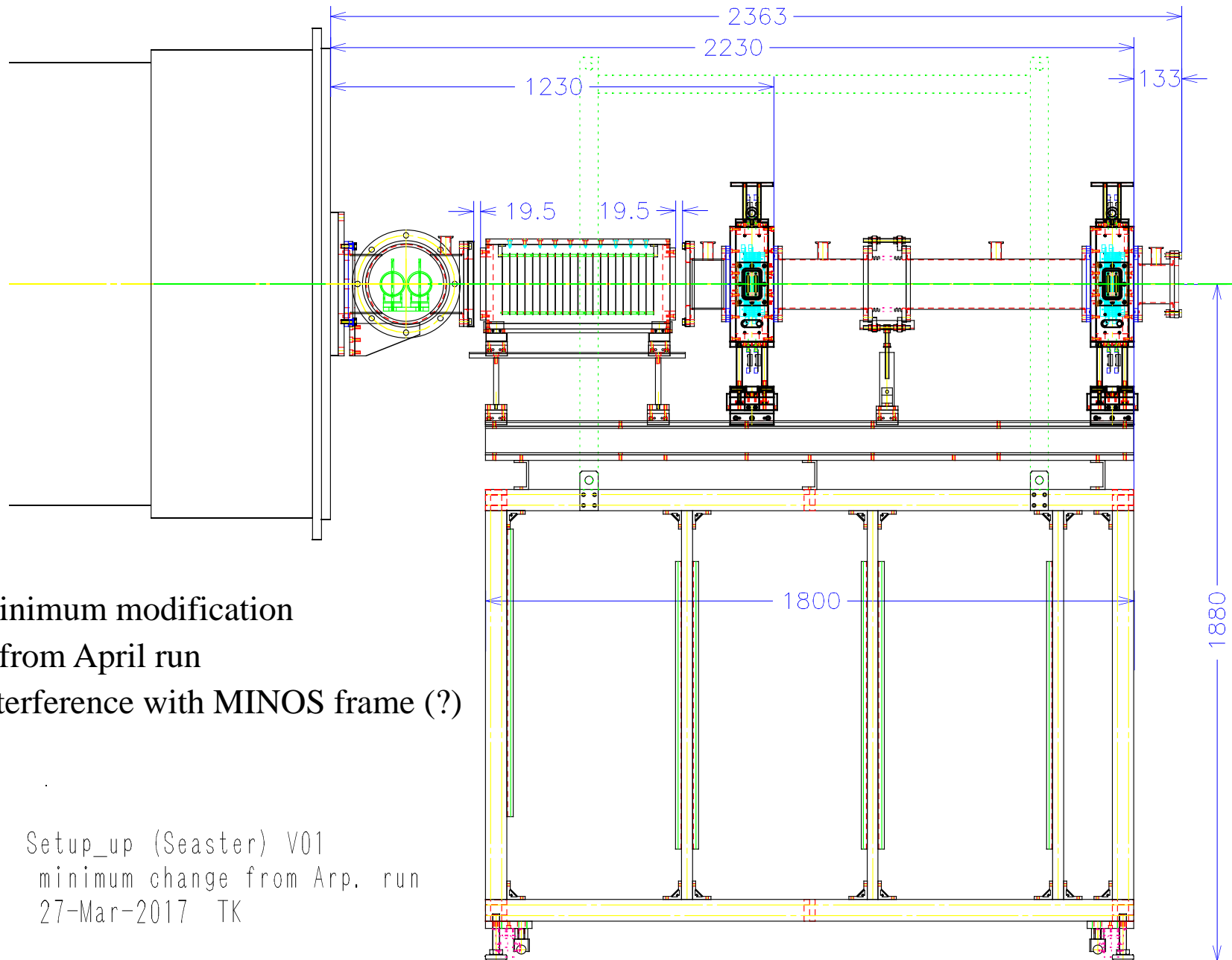
## Memo for 2017spring2(Seaster)

---

- ICB, BDC1,2 configuration
  - V01 : D(BDC1-BDC2)= 1000 mm, ICB
  - V02, V03 : D(BDC1-BDC2)= 750 mm, ICB
  - V04 : D(BDC1-BDC2)= 1000 mm, without ICB
    - same configuration as  $^{18}\text{O}$  campaign
- other questions

# Upstream for 2017-April run



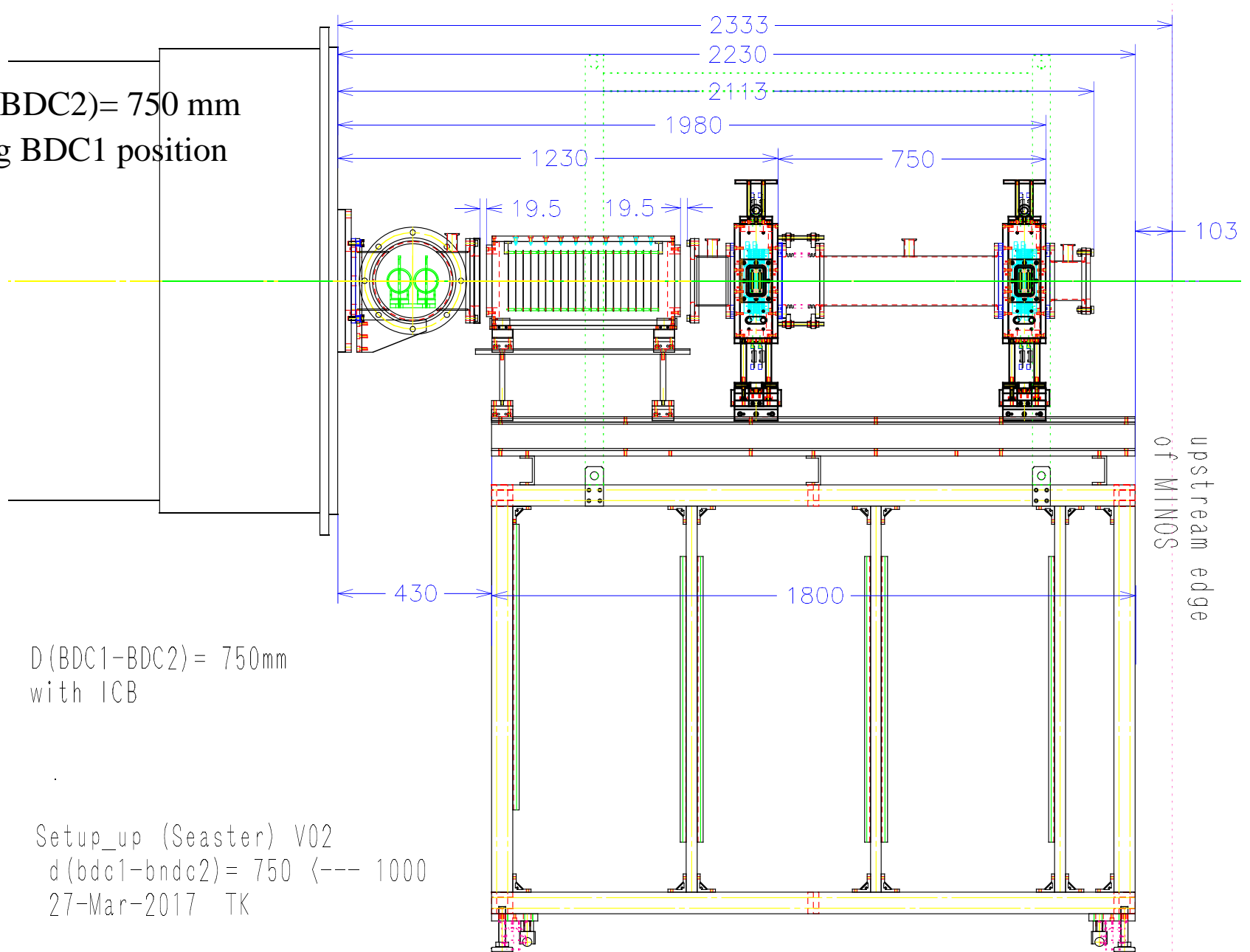


- Minimum modification
  - from April run
- interference with MINOS frame (?)

Setup\_up (Seaster) V01  
minimum change from Arp. run  
27-Mar-2017 TK

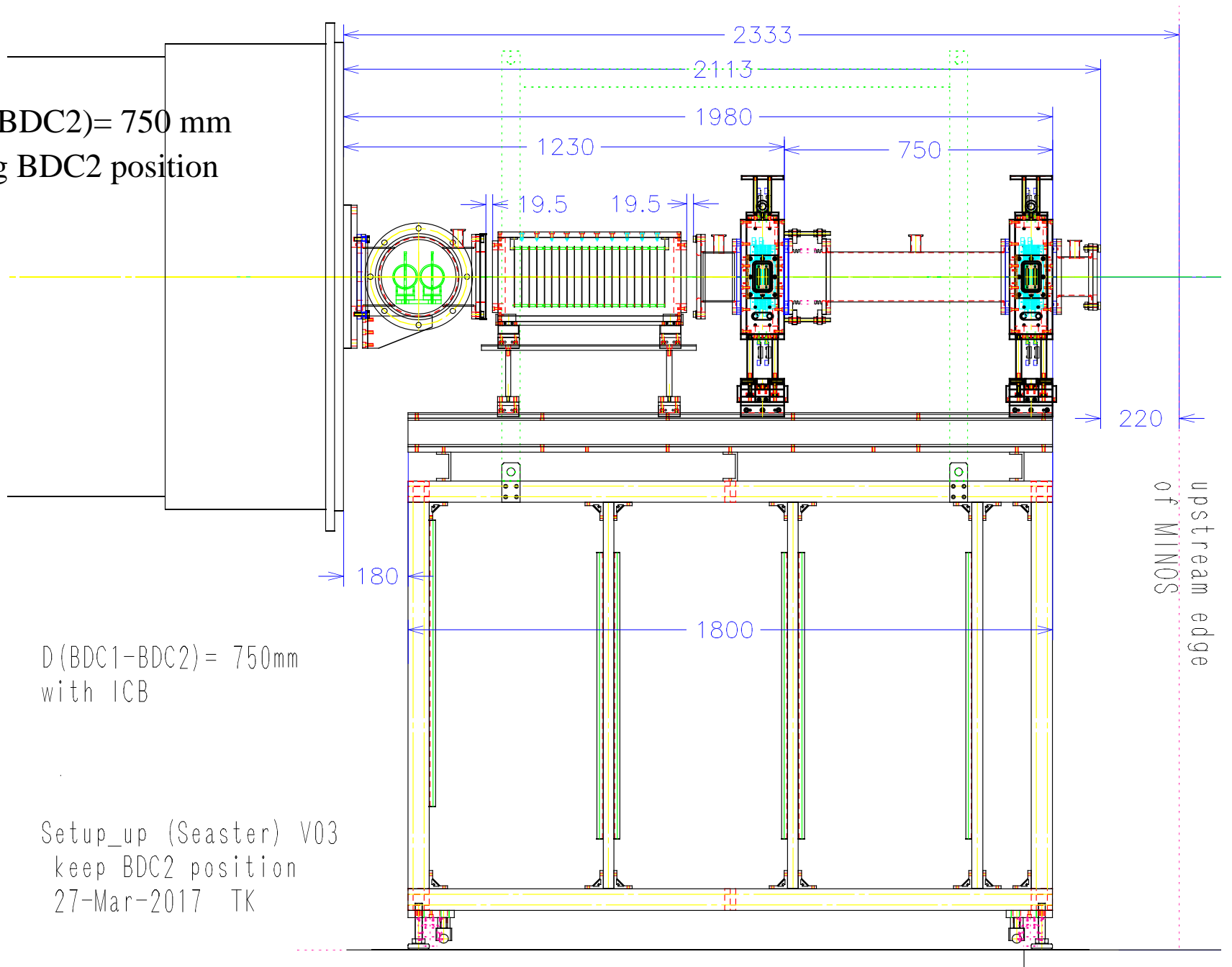
# Upstream for Seaster V02

- $D(\text{BDC1-BDC2}) = 750 \text{ mm}$ 
  - keeping BDC1 position
- with ICB



# Upstream for Seaster V03

- $D(\text{BDC1-BDC2}) = 750 \text{ mm}$ 
  - keeping BDC2 position
- with ICB

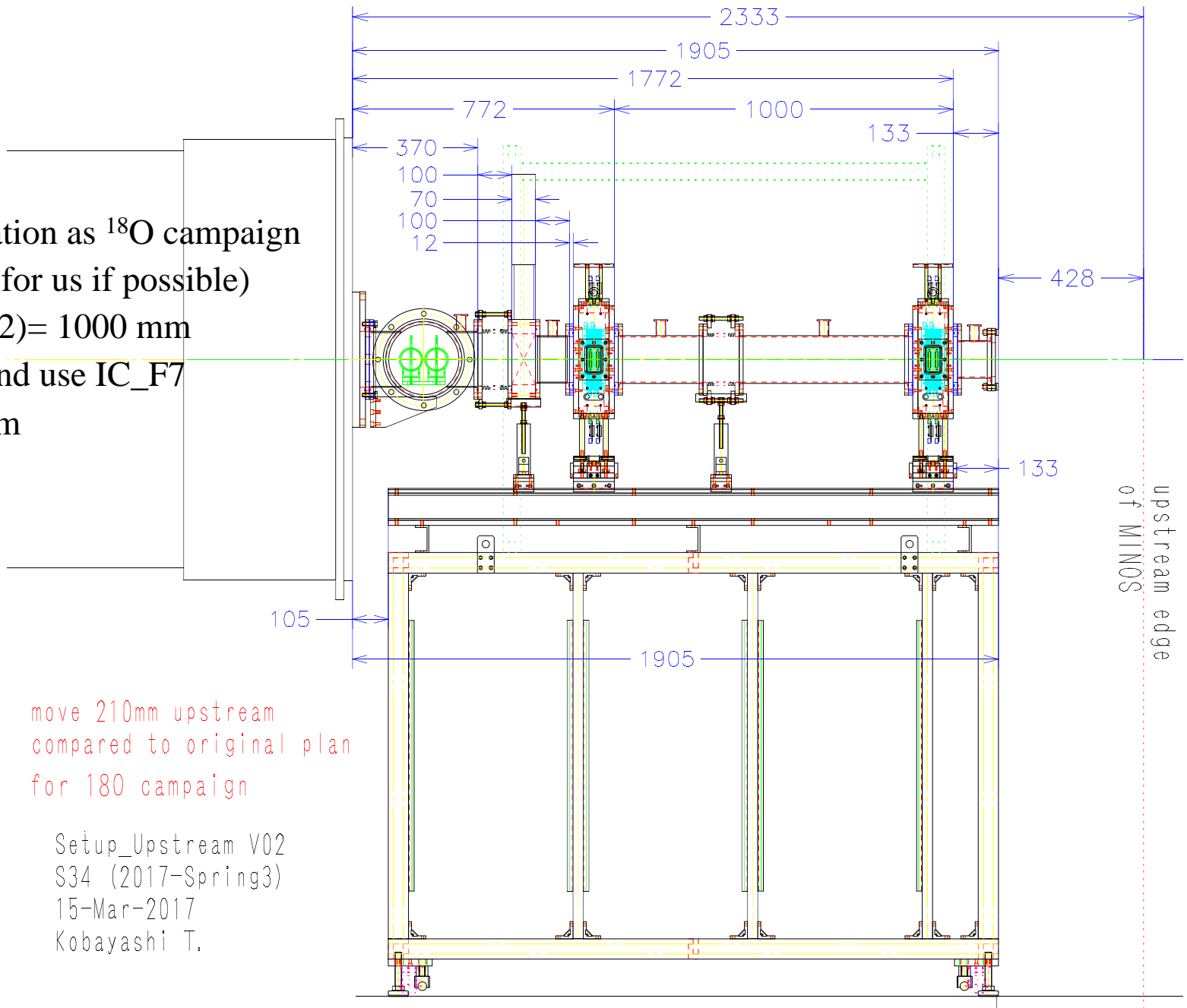


$D(\text{BDC1-BDC2}) = 750\text{mm}$   
with ICB

Setup\_up (Seaster) V03  
keep BDC2 position  
27-Mar-2017 TK

# Upstream for Seaster V04 (same as $^{18}\text{O}$ campaign)

- same configuration as  $^{18}\text{O}$  campaign
  - (convenient for us if possible)
- $D(\text{BDC1-BDC2}) = 1000 \text{ mm}$
- without ICB, and use IC\_F7
- $t(\text{SBT}) = 0.2 \text{ mm}$



move 210mm upstream  
 compared to original plan  
 for 180 campaign

Setup\_Upstream V02  
 S34 (2017-Spring3)  
 15-Mar-2017  
 Kobayashi T.

- SBT, ICB, BDC1,2 configuration ?
  - p2-p5 :
  - V3 (page5) OK?
- can gate valve be removed ?
  - which gate valve? between target & FDC1?
  - I think it is OK to remove GV between entrance window (after the target) & FDC1
    - if vacuum can be kept all the time
- SAMURAI magnet ?
  - no need to be on all the time.
- detector tuning (BDC,1,2, FDC1,2)
  - HV curve for K beam (or abundant species), and use the common HV from K to V
- HODF24
  - use the same HV setting for Ca beams in April?
  - sweep probably not necessary