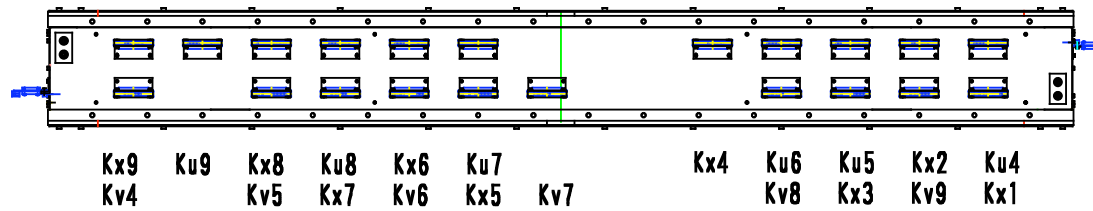
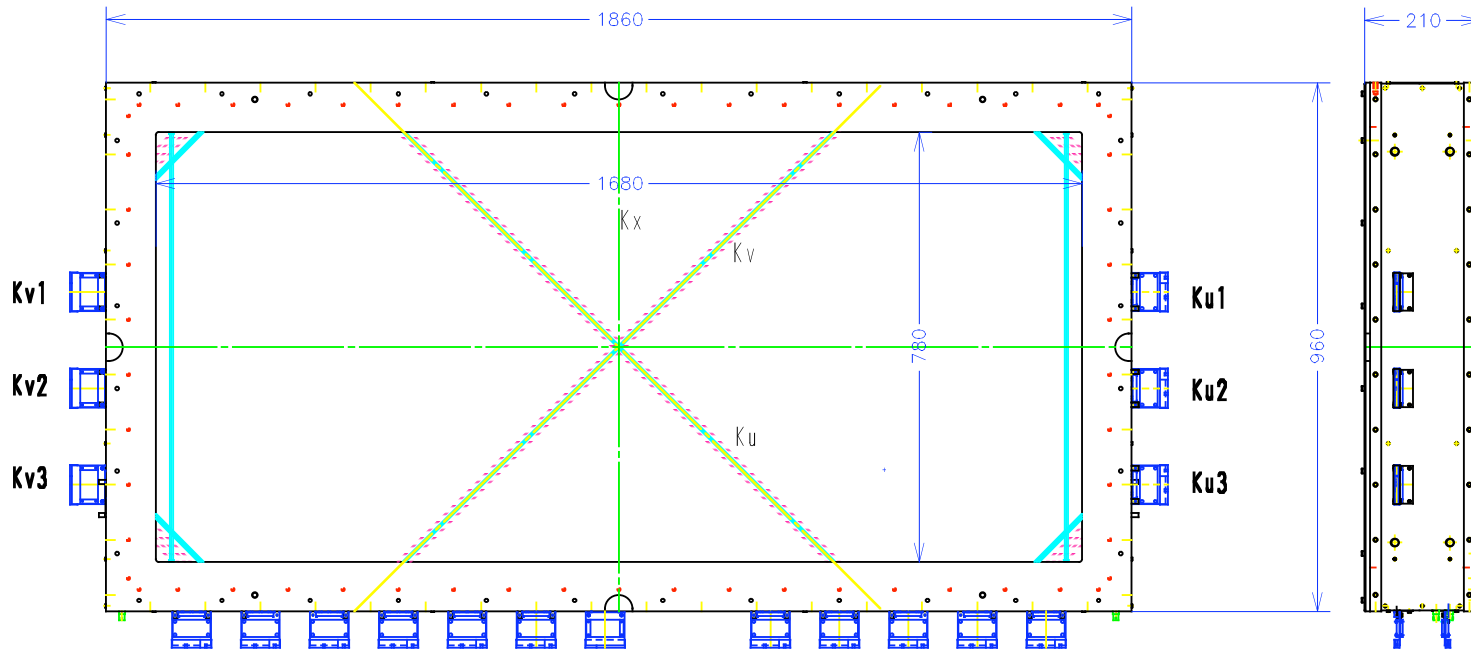


Detectors Left

- PDC (Proton Drift Chamber) : for (γ ,p)-type exp.
- TED (Total Energy Detector) : for PID of heavy fragments
- (BaF2 2π -ball)

Proton Drift Chamber (PDC)

- 2 PDC's built
- Cathode readout : Ku, Kx, Kv
- 27 ASD's (~430 ch) / chamber



Ku
Av
Kx
Au
Kv

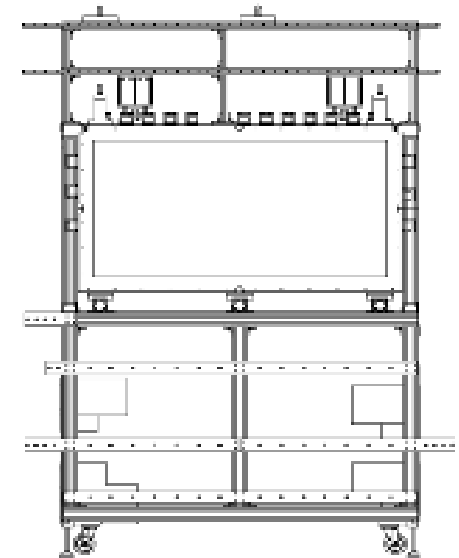
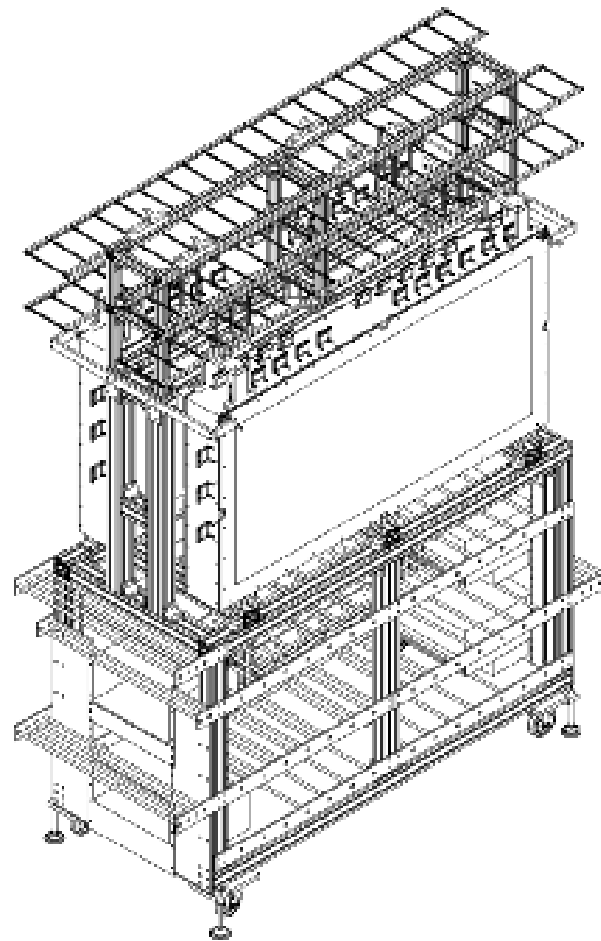
PDC外觀図2
8-Apr-2012 小林

PDC -2

- being tested @Tohoku
 - noise / oscillation problems
 - broken wires



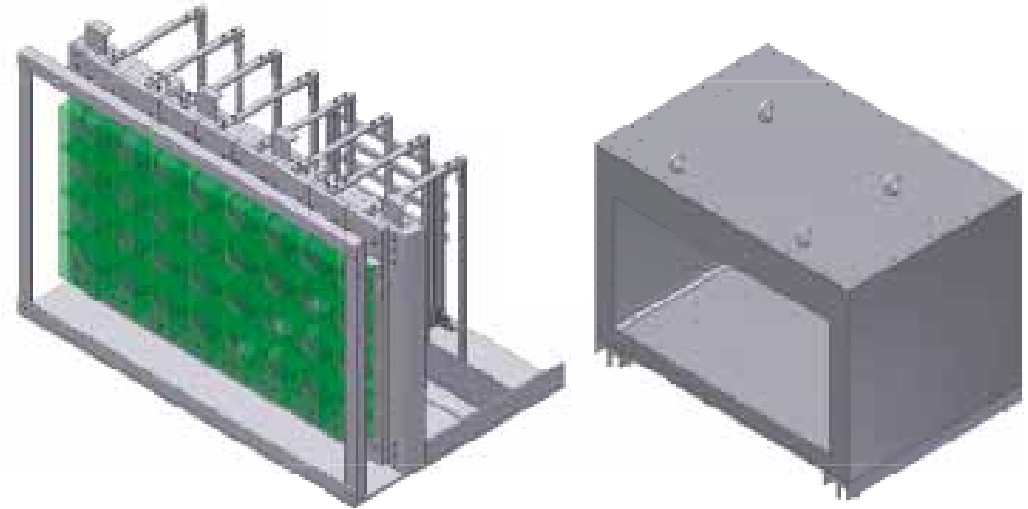
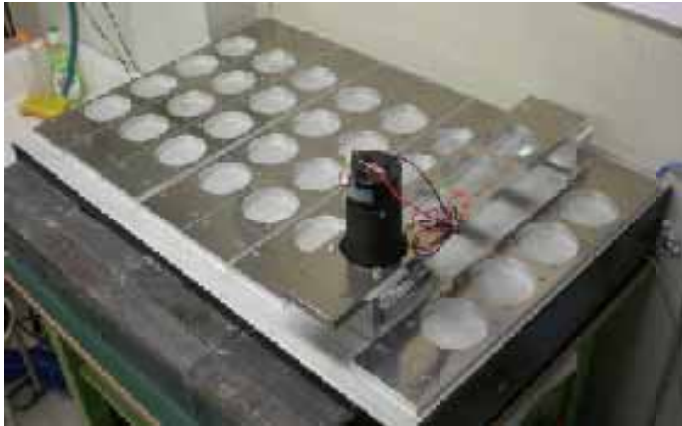
- PDC Stand designed



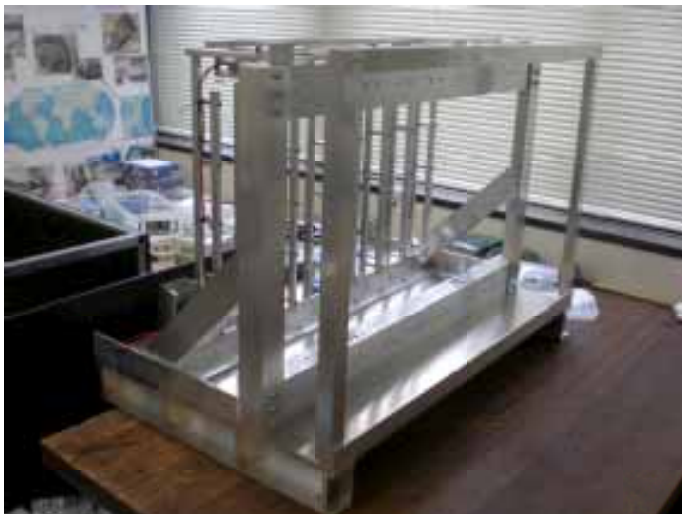
Total Energy Detector (TED)

- CsI(pure) 100x100x50mm x32 elements
- covering 800(H) x 400(V)

Crystal / Support plate



Support frame



Magnetic / Light shield box

