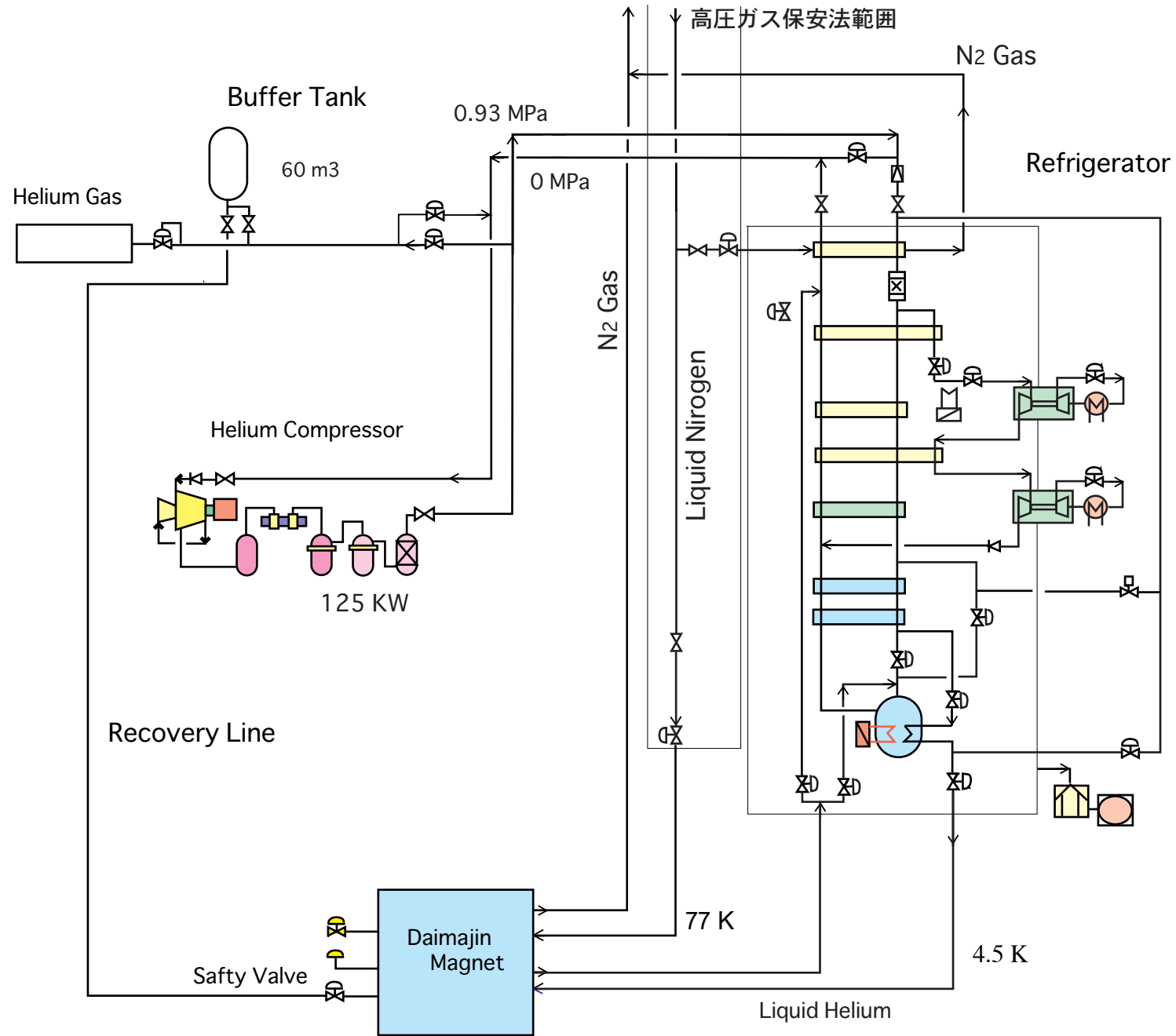


Helium Cooling System with Liquid Nitrogen for the Daimajin Magnet



Helium Cooling System without Liquid nitrogen for the Daimajin Magnet

