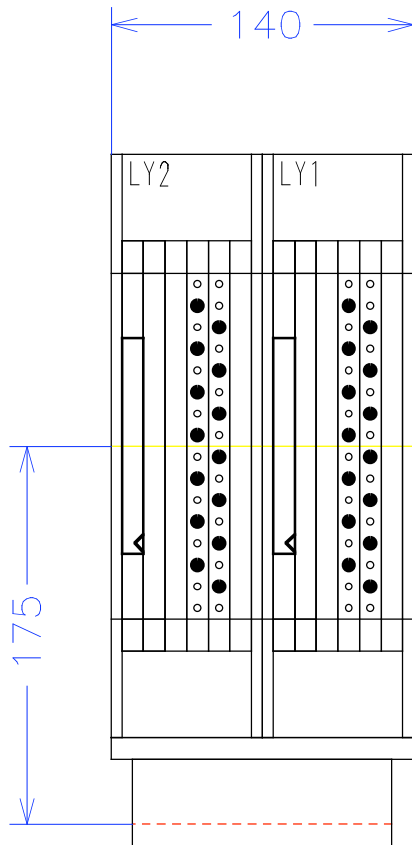
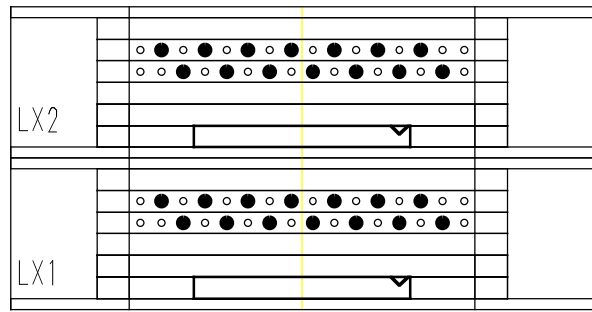


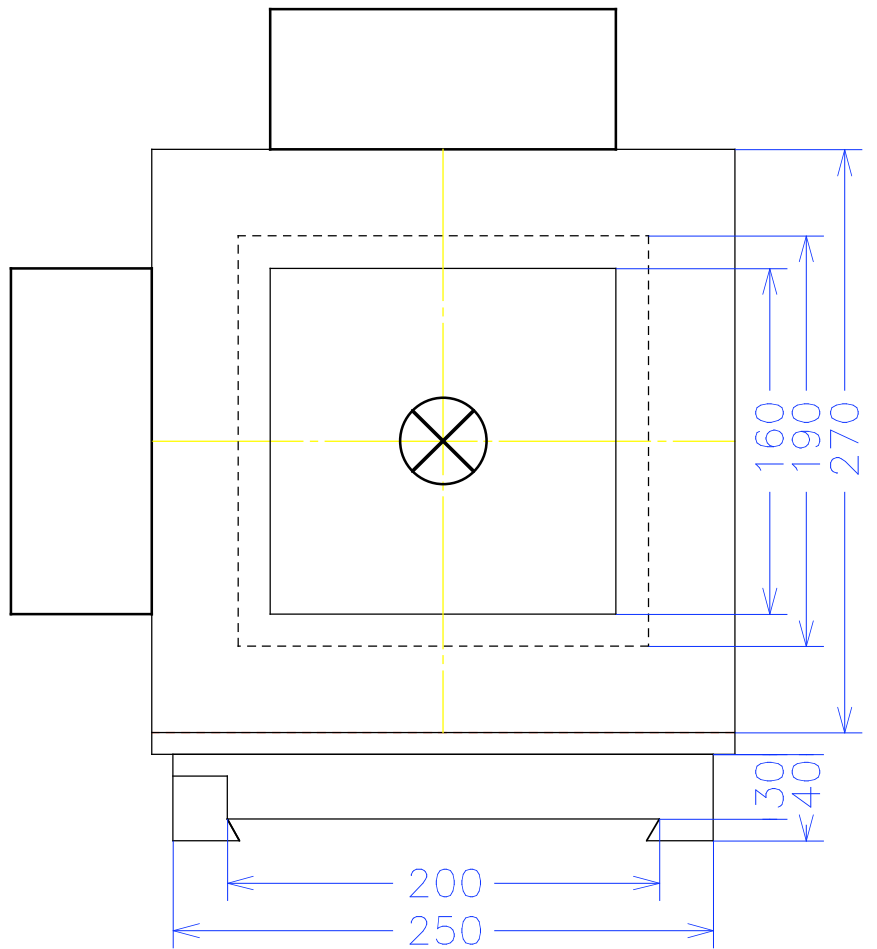
Proton Drift Chamber (PDC)	
scale: 1/4	
	15-Jan-1997 小林俊雄

c31, c29... c21, c19    x41:x47  
 c30, c28... c20, c18    x31:x37

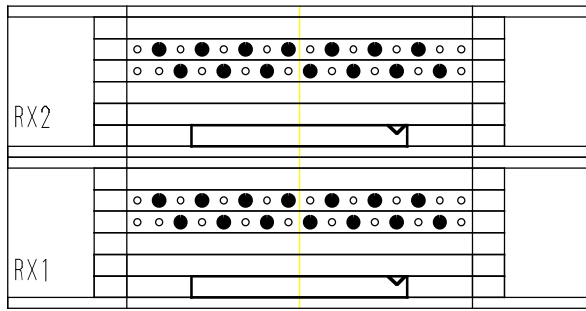
c15, c13... c5, c3    x21:x27  
 c14, c12... c4, c2    x11:x17



c14, c12... c4, c2    Y57:Y51  
 c15, c13... c5, c3    Y67:Y61  
 c30, c28... c20, c18    Y77:Y71  
 c31, c29... c21, c19    Y87:Y81



PDC\_Left 配線図  
 15-Jan-1997 小林

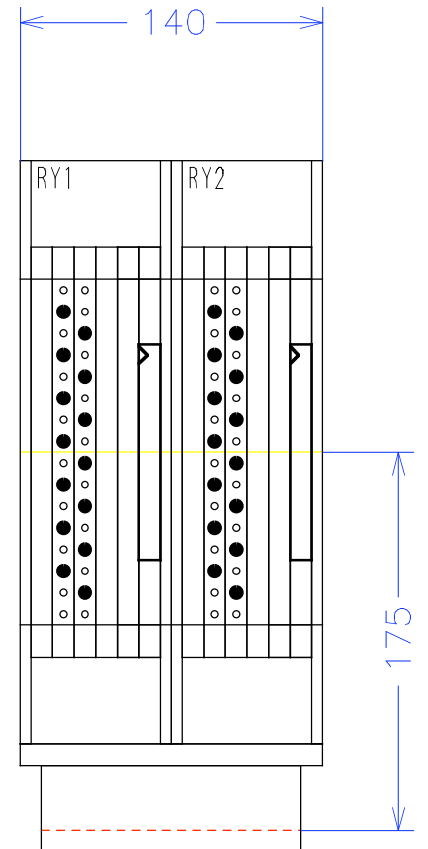
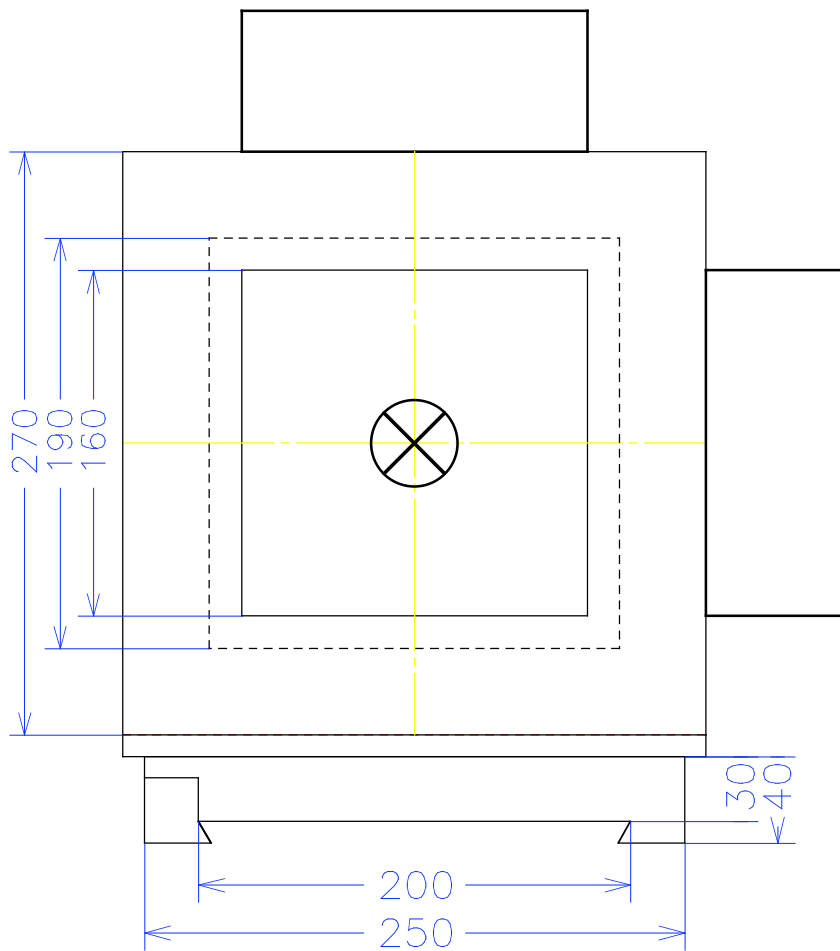


c31, c29... c21, c19 X121:X127

c30, c28... c20, c18 X111:X117

c15, c13... c5, c3 X101:X107

c14, c12... c4, c2 X91:X97



c3, c5, .. c13, c15  
c2, c4, .. c12, c14

Y147:Y141  
Y137:Y131

c19, c21... c29, c31  
c18, c20... c28, c30

Y167:Y161  
Y157:Y151

PDC\_Right 配線図  
15-Jan-1997 小林